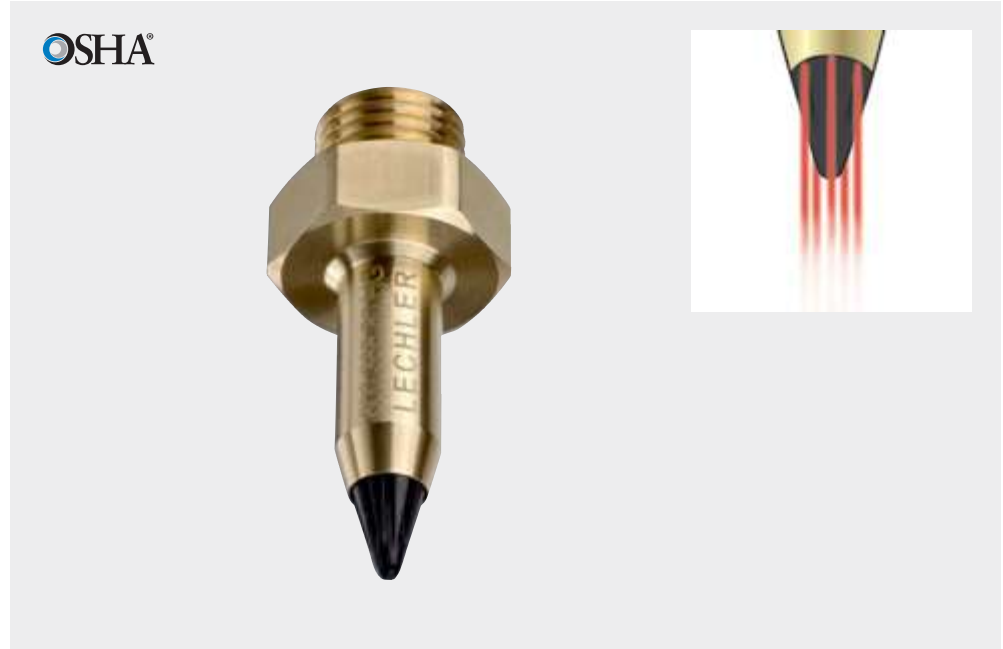




Mini multi-channel round jet nozzles for air Series 600.388.30

Series 600.388.30

The mini multi-channel round jet nozzles of the 600.388 series generate a point of concentrated air even at large distances. The compact design of this series makes the nozzles particularly suitable for use in locations that are difficult to reach. The special design at the nozzle outlet prevents air penetration into human skin. These nozzles comply with the OSHA standards.



Cost savings

7%



Noise reduction

8%



Materials
Brass, POM



Blowing force
1.1 N at 2 bar



Noise level
77 db(A) at 2 bar



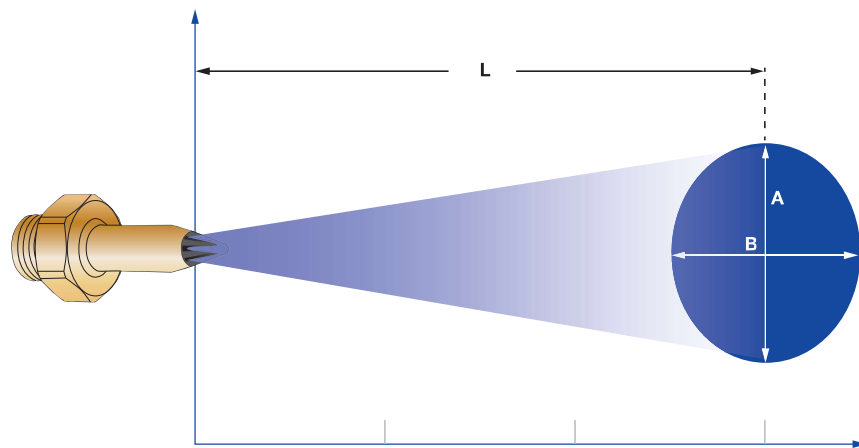
Air consumption
 $V_{LN}=8 \text{ m}^3/\text{h}$ at 2 bar



Pressure
 $p_{\text{max}}=10 \text{ bar}$



Max. temperature
50 °C

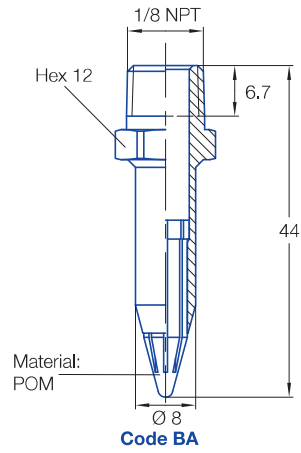
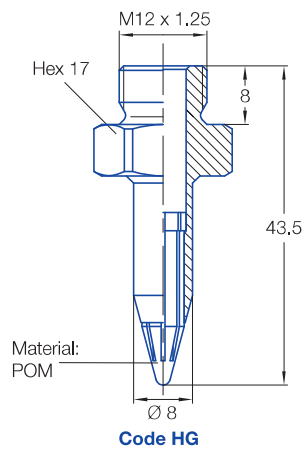
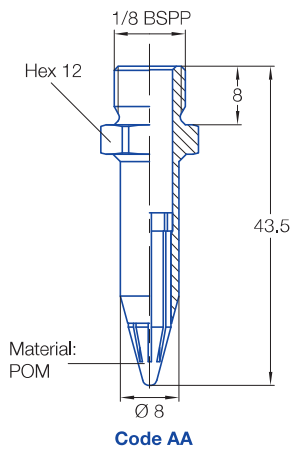


Jet pattern of 600.388 nozzle series

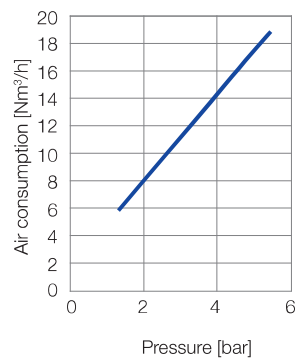
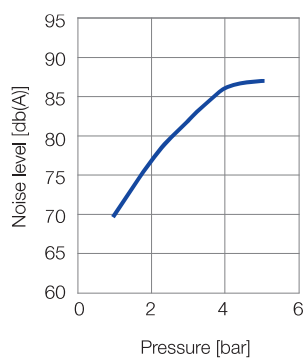
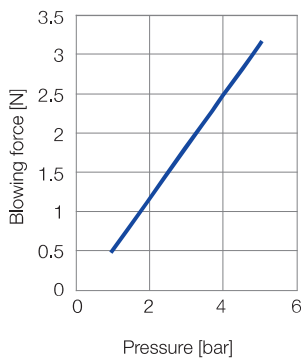
Pressure:	1 bar	3 bar	5 bar
Distance L [mm]:	500	750	900

Jet image dimensions at L

A [mm]:	130	185	260
B [mm]:	130	185	260



Technical data



Ordering no.		Connection thread
Type	Code	
600.388.30 (Material: Brass/POM)	AA	1/8 BSPP
	HG	M 12 x 1.25
	BA	1/8 NPT

Example	Type	+	Code	=	Ordering no.
of ordering:	600.388.30	+	AA	=	600.388.30.AA

Also as a high-temperature version of stainless steel 316L SS available on request.